

GMC-FP5 Snap In Magnetic Catch

Features

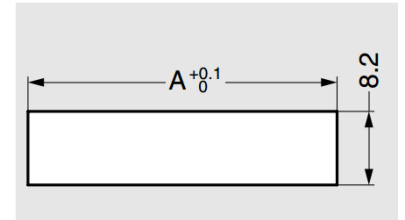
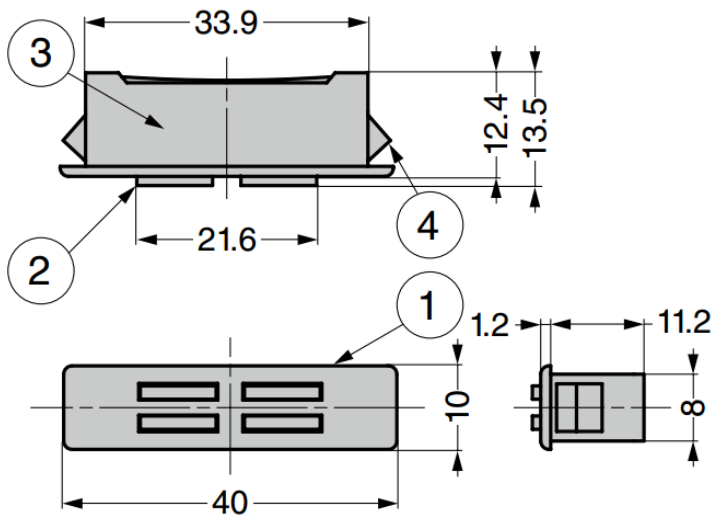
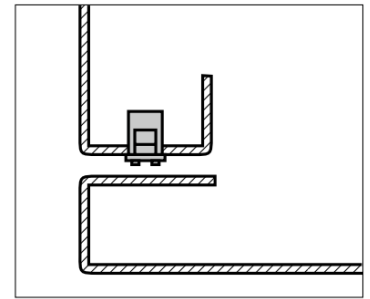
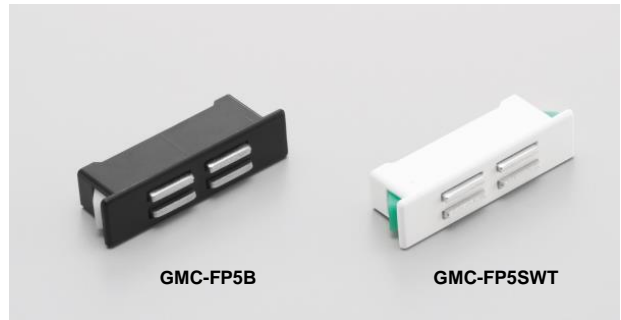
- Snap in installation

Notes

- Max. temperature : 80°C

Bore Dimensions

Door Thickness	A
0.8	34.1
1.0	
1.2	34.5
1.4	
1.6	35
2.0	36.5



No.	Part Name	Material	Finish / Colour
①	Body	ABS	White, Black
②	Yoke	Steel (SPCC)	Coloured Zinc Chromate (Trivalent)
③	Magnet	Ferrite (MC-FP5), Neodymium (MC-FP5S)	-
④	Spring	POM	Natural, Green

Part No.	Body Colour	Spring Colour	Magnetic Force	
GMC-FP5W	White	Natural	21.6 N	2.2 kg
GMC-FP5B	Black			
GMC-FP5SWT	White	Green	44.1 N	4.5 kg
GMC-FP5SBL	Black			